



derby^{lc}

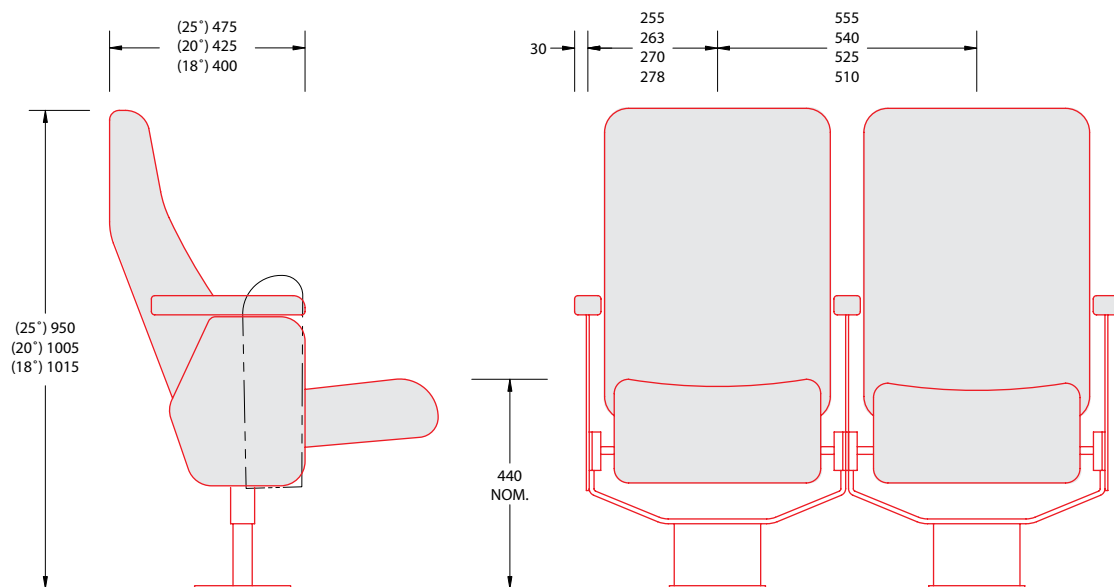
For installations demanding a high level of comfort and a touch of luxury, the 'Derby' offers an impressive list of specifications not seen before in lecture or conference environments.

The individually moulded polyurethane cushion and back (in varying density multi-layer foam) incorporate lateral and lumbar support in the back and a bolster at the front edge of the seat cushion providing maximum ergonomic support and long term seat comfort. The steel framed gravity tilt seat cushion rotates on nylon pivots ensuring a maintenance free tilt action mechanism. Effuzi 'Derby' also incorporates a fully integrated robotically welded steel inner framework for strength and durability.

Tailor the 'derby' to meet your exact requirements with the addition of standard components including floor or riser mounting and a selection of fabrics. Optional upholstered armrest caps are available to provide additional comfort.



derby^{lc}



derby options

- 3 back angles: 18°, 20°, 25°
- riser mounting
- fabric options
- armrest options
- desk options
- AV reticulation



effuzi reserve the right to change the design or specifications during our ongoing development policy of continued improvement

for more information on the
effuzi lecture solutions,
or other effuzi products, contact:

sales@effuzi.com
www.effuzi.com

Wellington
Effuzi International Ltd
Head Office

PO Box 57 003
Mana 5247

13 Raiha Street
Elsdon
Porirua
NEW ZEALAND

Ph: +64 4 237 5444
Fax: +64 4 237 7950

Auckland
Effuzi International Ltd

PO Box 57 003
Mana 5247

NEW ZEALAND

Ph: +64 9 523 1264
Fax: +64 9 523 1264

Sydney
Effuzi Australia Pty Ltd

GPO Box 1615
Sydney
NSW 2001

AUSTRALIA

Ph: 1800 126 591
Fax: 1800 126 591

LEC03-0408B