



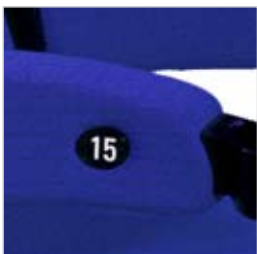
## quattro<sup>eb</sup>

Superbly designed and engineered cinema seating providing the ultimate in long term patron comfort.

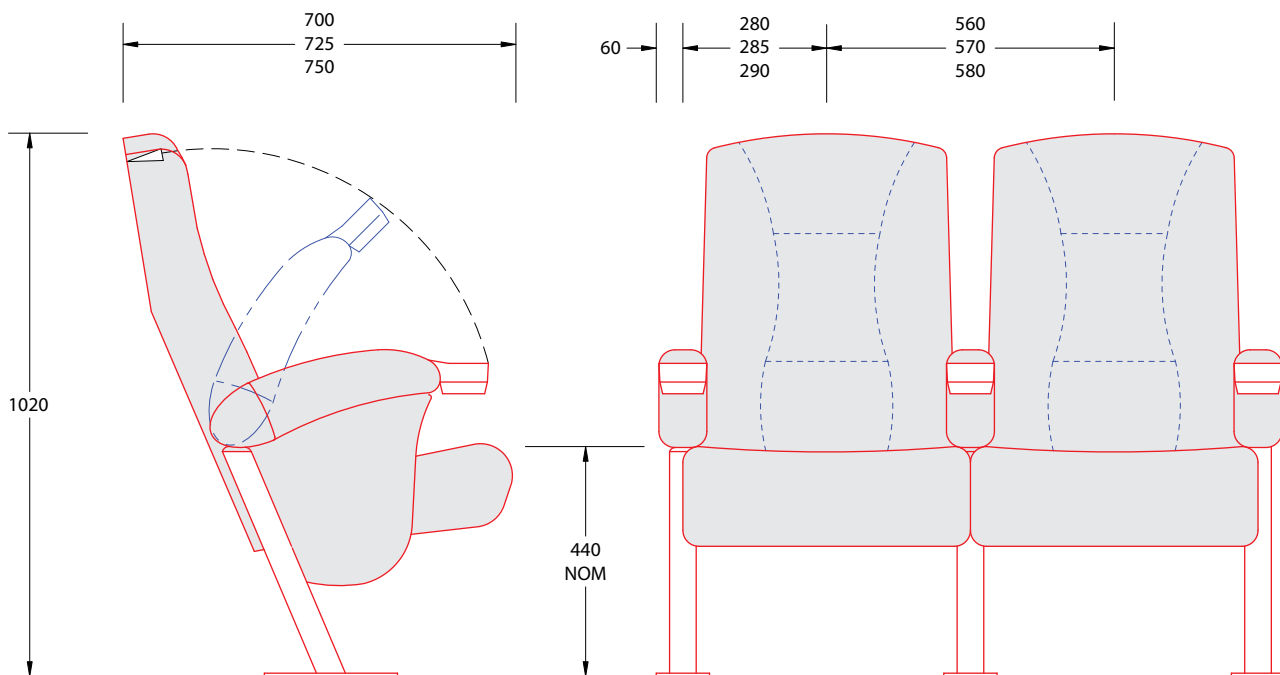
The Effuzi Ergo-Back (eb) incorporates varying density multi-layer polyurethane foam offering true lateral and lumbar support and a bolster at the front of the cushion for maximum ergonomic support. 'Quattro' arms are padded and upholstered, are available either tilting or fixed and with or without cup holders. The arms fold upward into the space between the backs providing a clear unimpeded seating area for loving patrons.

The standard chair can be upgraded with the addition of product options to personalise your Cinema. Options include cup holders for the arms, aisle identification, seat numbers, LED aisle lighting or your choice of fabrics or leather. Also available is the 'flexi back', incorporating a gentle reclining mechanism in either a 50mm or 100mm movement. The optimum in patron comfort.

All the internal steel framework in Effuzi Seating is robotically welded steel for strength and durability. The zipped on upholstery covers of either foam bonded fabric or leather, make for easy maintenance or replacement. No special tools are required to change, adjust or replace any component on Effuzi chairs.



# quattro<sup>eb</sup>



## quattro options

- 'flexiback' reclining mechanism (50mm or 100mm movement)
- aisle lights: 24V ac LED's 100,000 hrs
- row identification
- seat numbers
- riser mounting
- fabric options
- free standing



effuzi reserve the right to change the design or specifications during our ongoing development policy of continued improvement

for more information on the  
effuzi cinema collection,

or other seating products, contact:

[sales@effuzi.com](mailto:sales@effuzi.com)  
[www.effuzi.com](http://www.effuzi.com)

**Wellington**  
Effuzi International Ltd  
Head Office

PO Box 57 003  
Mana 5247

13 Raiha Street  
Elsdon  
Porirua  
NEW ZEALAND

Ph: +64 4 237 5444  
Fax: +64 4 237 7950

**Auckland**  
Effuzi International Ltd

PO Box 57 003  
Mana 5247

NEW ZEALAND

Ph: +64 9 523 1264  
Fax: +64 9 523 1264

**Sydney**  
Effuzi Australia Pty Ltd

GPO Box 1615  
Sydney  
NSW 2001

AUSTRALIA

Ph: 1800 126 591  
Fax: 1800 126 591

CIN18-0208D