



phatt

For installations demanding true cinema luxury, the 'Phatt' offers the very best in premium quality, comfort and style.

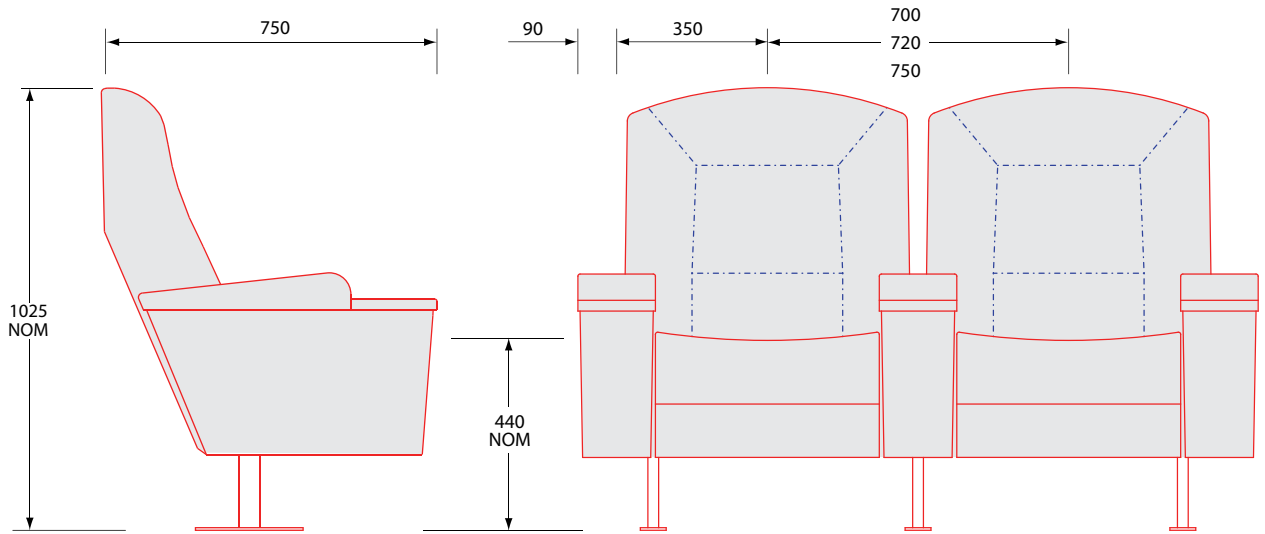
Generous proportions in both cushion and armrest provide undisturbed personal space and unparalleled comfort while the ergonomically contoured back hugs the body for full lateral and lumbar support. Cold moulded polyurethane foam cushions and backs, incorporate varying density multi-layered construction including a leg bolster at the cushions' front edge, to provide true ergonomic support.

The 'Phatt' may be tailored to your Cinemas' requirements with a choice of fabrics or options including seat numbers, aisle lights, row identification or mountings. The 'flexi-back' option incorporates a gentle reclining mechanism in either a 50mm or 100mm movement. All internal steel framework in Effuzi Seating is robotically welded for strength and durability.

The zipped on upholstery covers of either foam bonded fabric or leather, make for easy maintenance or replacement. No special tools are required to change, adjust or replace any component on Effuzi chairs.



phatt



phatt options

- 'flexiback' reclining mechanism (50mm or 100mm movement)
- aisle lights: 24V ac LED's 100,000 hrs
- row identification
- seat numbers
- riser mounting
- free standing
- fabric options
- leather option
- wine bottle holders
- cup holders
- tablet variations
- plush back option



effuzi reserve the right to change the design or specifications during our ongoing development policy of continued improvement

for more information on the
effuzi cinema collection,
or other seating products, contact:

sales@effuzi.com
www.effuzi.com

Wellington
Effuzi International Ltd
Head Office

PO Box 57 003
Mana 5247

13 Raiha Street
Elsdon
Porirua
NEW ZEALAND

Ph: +64 4 237 5444
Fax: +64 4 237 7950

Auckland
Effuzi International Ltd

PO Box 57 003
Mana 5247

NEW ZEALAND

Ph: +64 9 523 1264
Fax: +64 9 523 1264

Sydney
Effuzi Australia Pty Ltd

GPO Box 1615
Sydney
NSW 2001

AUSTRALIA

Ph: 1800 126 591
Fax: 1800 126 591