



effuzi



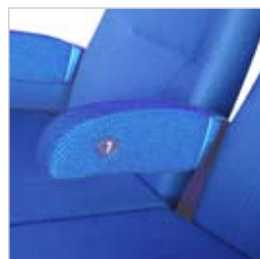
pharaoh^{eb}

Superbly designed and engineered cinema seating providing the ultimate in long term patron comfort.

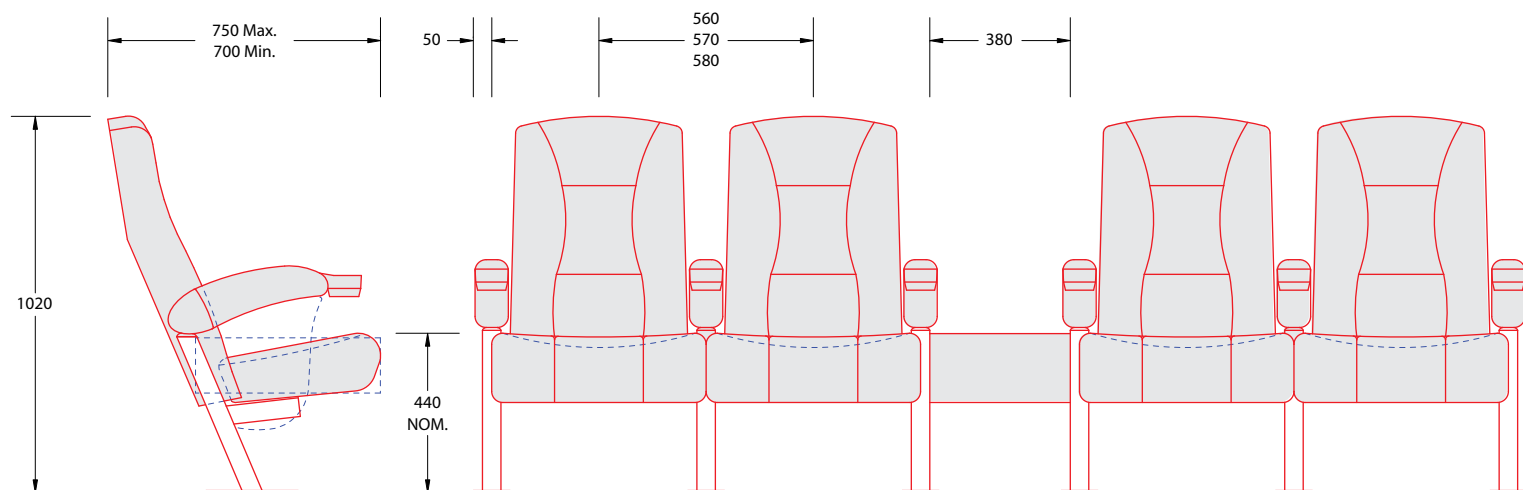
The Effuzi Ergo-Back (eb), incorporates varying density multi-layer polyurethane foam offering true lateral and lumbar support and a bolster at the front of the cushion for maximum ergonomic support. The fully upholstered tilting arms provide access to the drinks table between the pairs of chairs whilst giving a true two seater feel.

The standard chair can be upgraded with the addition of product options to personalise your Cinema. Options include cup holders for the arms, aisle identification, seat numbers, LED aisle lighting or your choice of fabrics or leather. Also available is the 'flexi back', incorporating a gentle reclining mechanism in either a 50mm or 100mm movement. The optimum in patron comfort.

All the internal steel framework in Effuzi Seating is robotically welded steel for strength and durability. The zipped on upholstery covers of either foam bonded fabric or leather, make for easy maintenance or replacement. No special tools are required to change, adjust or replace any component on Effuzi chairs.



pharaoh^{eb}



pharaoh options

- 'flexiback' reclining mechanism (50mm or 100mm movement)
- arm rest width: 80mm / 110mm
- aisle lights: 24V ac LED's 100,000 hrs
- row identification
- seat numbers
- riser mounting
- fabric options
- table options
- wine bottle holders



effuzi reserve the right to change the design or specifications during our ongoing development policy of continued improvement

for more information on the

effuzi cinema collection,

or other seating products, contact:

sales@effuzi.com

www.effuzi.com

Wellington
Effuzi International Ltd
Head Office

PO Box 57 003
Mana 5247

13 Raiha Street
Elsdon
Porirua
NEW ZEALAND

Ph: +64 4 237 5444
Fax: +64 4 237 7950

Auckland
Effuzi International Ltd

PO Box 57 003
Mana 5247

NEW ZEALAND

Ph: +64 9 523 1264
Fax: +64 9 523 1264

Sydney
Effuzi Australia Pty Ltd

GPO Box 1615
Sydney
NSW 2001

AUSTRALIA

Ph: 1800 126 591
Fax: 1800 126 591

CIN/15-0208D