



# effuzi



## embassy<sup>eb</sup>

Superbly designed and engineered cinema seating providing the ultimate in long term patron comfort.

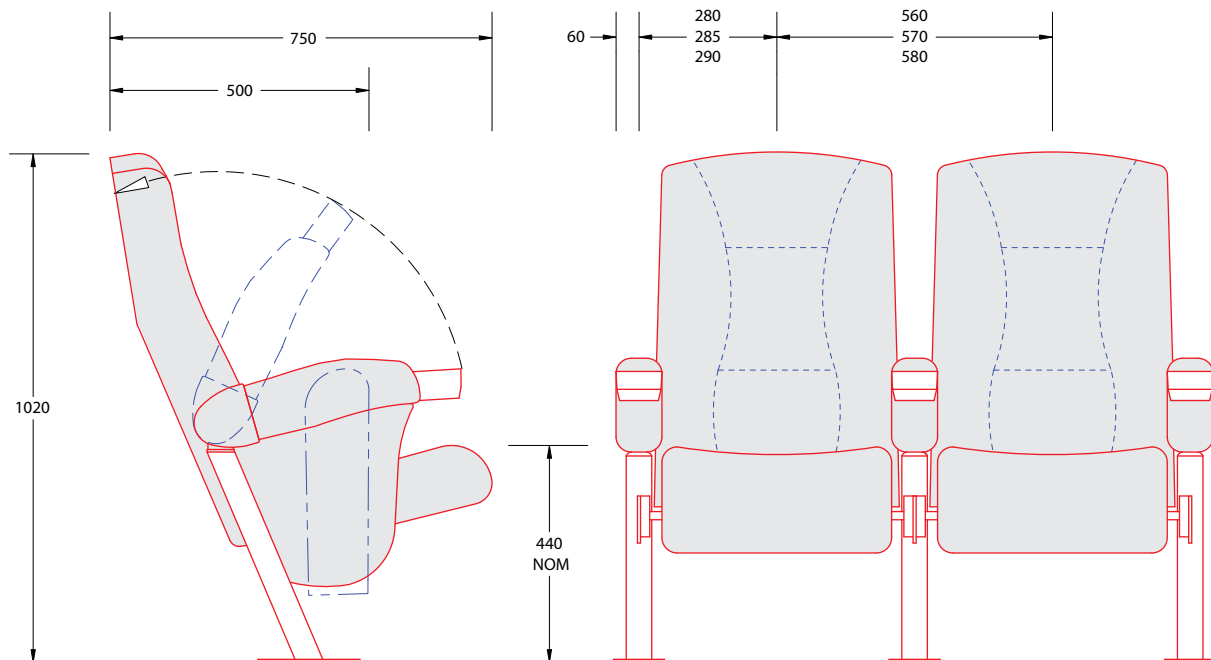
The Effuzi Ergo-Back (eb) incorporates varying density multi-layer polyurethane cushions and backs (in varying density multi-layer foam) incorporate lateral and lumbar support in the back and a leg bolster at the front edge of the seat cushion to provide maximum ergonomic support. The steel framed gravity tilt seat cushion rotates on nylon pivots ensuring a maintenance free passive tilt action mechanism. 'Embassy' arms are padded and upholstered and include either tilting, or fixed intermediate and aisle arms as required.

Customise to your cinema with the addition of product options including cup holders, aisle identification, seat numbers, LED aisle lighting, floor or riser mounting and a selection of fabrics.

Effuzi Cinema Seating includes a fully integrated robotically welded steel inner framework for strength and durability. Foam cushioning is upholstered with a replaceable (zip closure) foam laminated fabric cover, while all seat components are easily detachable without special tools for part replacement or maintenance as required.



# embassy<sup>eb</sup>



## embassy options

- 'flexiback' reclining mechanism (50mm or 100mm movement)
- aisle lights: 24V ac LED's 100,000 hrs
- row identification
- seat numbers
- riser mounting
- fabric options



effuzi reserve the right to change the design or specifications during our ongoing development policy of continued improvement

for more information on the  
effuzi cinema collection,

or other seating products, contact:

[sales@effuzi.com](mailto:sales@effuzi.com)  
[www.effuzi.com](http://www.effuzi.com)

**Wellington**  
Effuzi International Ltd  
Head Office

PO Box 57 003  
Mana 5247

13 Raiha Street  
Elsdon  
Porirua  
NEW ZEALAND

Ph: +64 4 237 5444  
Fax: +64 4 237 7950

**Auckland**  
Effuzi International Ltd

PO Box 57 003  
Mana 5247

NEW ZEALAND

Ph: +64 9 523 1264  
Fax: +64 9 523 1264

**Sydney**  
Effuzi Australia Pty Ltd

GPO Box 1615  
Sydney  
NSW 2001

AUSTRALIA

Ph: 1800 126 591  
Fax: 1800 126 591

CIN08-0208E