



effuzi



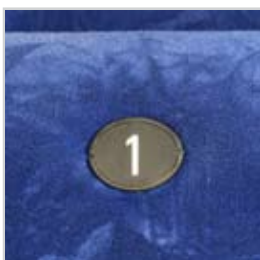
## derby

Superbly designed and engineered cinema seating providing the ultimate in long term patron comfort.

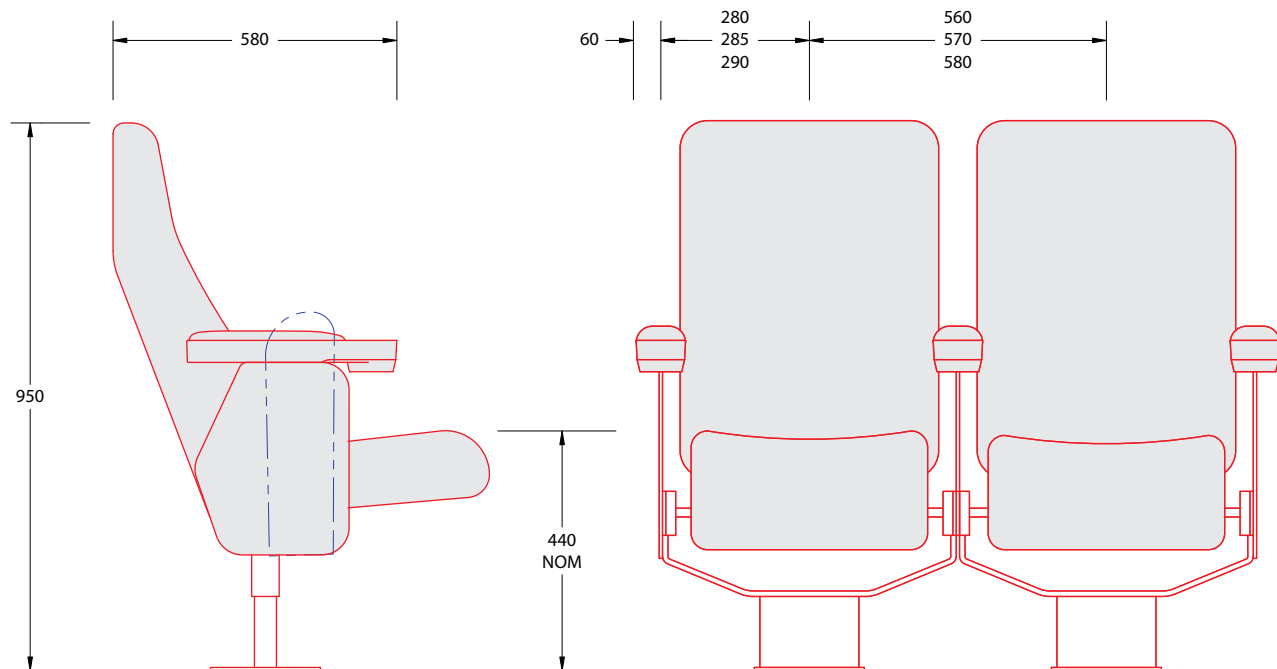
Individually cold moulded polyurethane foam cushions and backs, in varying densities, incorporate lateral and lumbar support in the back and a bolster at the front edge of the cushion for maximum ergonomic support. The steel framed gravity tilt seat cushion rotates on maintenance free self lubricating nylon pivots for a quiet positive action.

Upgrade the standard chair to the requirements of your Cinema with the addition of seat numbers, upholstered aisle panels, row identification, LED aisle lighting or your fabric choice. Upholstered armrest caps are available to provide additional patron comfort.

All the internal steel framework in Effuzi Seating is robotically welded steel for strength and durability. The zipped on upholstery covers of either foam bonded fabric or leather, make for easy maintenance or replacement. No special tools are required to change, adjust or replace any component on Effuzi chairs.



# derby



## derby options

- aisle lights: 24V ac LED's 100,000 hrs
- low back: 880mm overall height
- row identification
- seat numbers
- riser mounting
- fabric options



effuzi reserve the right to change the design or specifications during our ongoing development policy of continued improvement

for more information on the  
effuzi cinema collection,  
or other seating products, contact:

[sales@effuzi.com](mailto:sales@effuzi.com)  
[www.effuzi.com](http://www.effuzi.com)

**Wellington**  
Effuzi International Ltd  
Head Office

PO Box 57 003  
Mana 5247

13 Raiha Street  
Elsdon  
Porirua  
NEW ZEALAND

Ph: +64 4 237 5444  
Fax: +64 4 237 7950

**Auckland**  
Effuzi International Ltd

PO Box 57 003  
Mana 5247

NEW ZEALAND

Ph: +64 9 523 1264  
Fax: +64 9 523 1264

**Sydney**  
Effuzi Australia Pty Ltd

GPO Box 1615  
Sydney  
NSW 2001

AUSTRALIA

Ph: 1800 126 591  
Fax: 1800 126 591