



club^{eb}

Superbly designed and engineered cinema seating providing the ultimate in long term patron comfort.

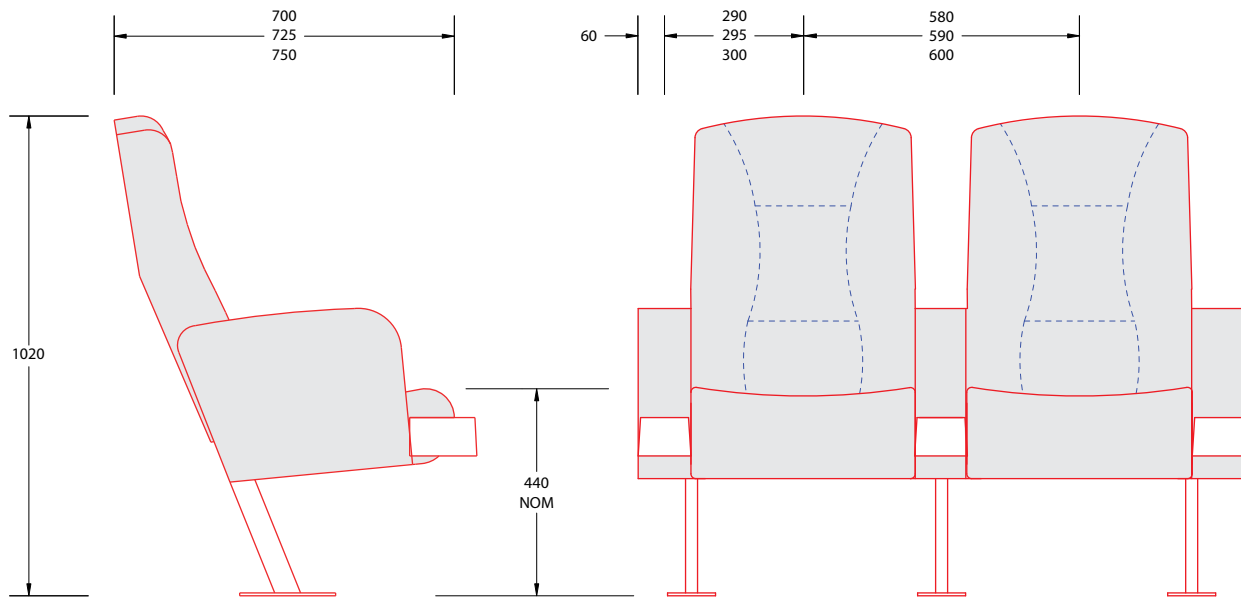
The Effuzi Ergo-Back (eb) incorporates varying density multi-layer cold moulded polyurethane foam, offering true lateral and lumbar support in the back and a seat contour which includes a front of cushion leg bolster providing superior seat comfort. The lounge style 'Club' arm provides extended forearm support and the extra wide arms on the 580mm and 600mm centre chairs, offer undisturbed luxurious patron comfort for the discerning Cinema.

Upgrade the standard chair with the addition of product options, to the requirements of your Cinema. Options include cup holders or drinks tablets, aisle identification, seat numbers, LED aisle lighting or your choice of fabric. Also available is the 'flexi back', incorporating a gentle reclining mechanism in either a 50mm or 100mm movement.

All the internal steel framework in Effuzi Seating is robotically welded steel for strength and durability. The zipped on upholstery covers of either foam bonded fabric or leather, make for easy maintenance or replacement. No special tools are required to change, adjust or replace any component on Effuzi chairs.



club^{eb}



club options

'flexiback' reclining mechanism (50mm or 100mm movement)

arm rest width: 80mm / 110mm

aisle lights: 24V ac LED's 100,000 hrs

row identification

seat numbers

riser mounting

fabric options



effuzi reserve the right to change the design or specifications during our ongoing development policy of continued improvement

for more information on the
effuzi cinema collection,

or other seating products, contact: sales@effuzi.com
www.effuzi.com

Wellington
Effuzi International Ltd
Head Office

PO Box 57 003
Mana 5247

13 Raiha Street
Elsdon
Porirua
NEW ZEALAND

Ph: +64 4 237 5444
Fax: +64 4 237 7950

Auckland
Effuzi International Ltd

PO Box 57 003
Mana 5247

NEW ZEALAND

Ph: +64 9 523 1264
Fax: +64 9 523 1264

Sydney
Effuzi Australia Pty Ltd

GPO Box 1615
Sydney
NSW 2001

AUSTRALIA

Ph: 1800 126 591
Fax: 1800 126 591